

# CONTROLLERS & SPECIAL VALVES



## G75-C | Irrigation controller | 1, 2 & 4 Valves

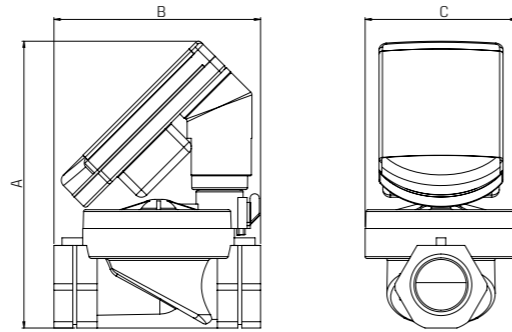


G75 One Valve

G75 Two Valves

G75 Four Valves

Size	A	B	C
3/4"	145	110	81
1"	153	110	81
1-1/2"	166	160	127
2"	166	170	127



### Technical Data

Operating temperature	-10° to 60°C
Mounting	<b>Various mounting options :</b> <ul style="list-style-type: none"> <li>• Directly on a 28mm diameter solenoid in horizontal or vertical position with adaptor</li> <li>• Wall mounting with four screws</li> <li>• Accessories provided</li> </ul>
Electrical	Powered by single 9V alkaline battery, use best quality to ensure at least one year's autonomous operation. <ul style="list-style-type: none"> <li>• Back-up memory</li> <li>• Low battery warning</li> <li>• Power saving LCD</li> <li>• Battery included</li> </ul>
Solenoid	Compatible with G75 4Ω latch operator
Valve	Can operate any valve equipped with 3/4" UNEF solenoid cavity (Richdel® type)
Software	<ul style="list-style-type: none"> <li>• 24 hours real time clock</li> <li>• See 'Programming key features' table</li> </ul>
Options	<ul style="list-style-type: none"> <li>• Solar panel</li> <li>• Charger</li> <li>• Accurate clock (low time drift)</li> </ul>
Standard / Certification	CE
Standard protection class	<ul style="list-style-type: none"> <li>• Dust and watertight</li> <li>• IP67 and NEMA 4X</li> </ul>

### Mounting options



Wall mounting



Horizontal mounting

## G75-C | Irrigation controller | 1, 2 & 4 Valves

### Programming key features

One Valve	Two Valves	Four Valves
Once daily, at the same time	Up to three starts per day	Up to three starts per day
Once daily on selected days	Starts select	Starts select
Three starts per day	Day select	Day select
OFF	Season adjustment 10% - 200%	Season adjustment 10% - 200%
	OFF	OFF
		Master valve will be opened for each command

### How to Order

G75-C	TYPE OF CONTROLLER	VALVE 1	VALVE 2	VALVE 3	VALVE 4	MASTER VALVE <sup>(2)</sup>
	One valve 1	No valve 00	No valve 00	No valve 00	No valve 00	No valve 00
	Two valves 2	3/8" BSP 30	3/8" BSP 30	3/8" BSP 30	3/8" BSP 30	3/8" BSP 30
	Four valves 4	3/8" NPT 31	3/8" NPT 31	3/8" NPT 31	3/8" NPT 31	3/8" NPT 31
		1/2" BSP 40	1/2" BSP 40	1/2" BSP 40	1/2" BSP 40	1/2" BSP 40
		1/2" NPT 41	1/2" NPT 41	1/2" NPT 41	1/2" NPT 41	1/2" NPT 41
		3/4" BSP 50	3/4" BSP 50	3/4" BSP 50	3/4" BSP 50	3/4" BSP 50
		3/4" NPT 51	3/4" NPT 51	3/4" NPT 51	3/4" NPT 51	3/4" NPT 51
		1" BSP 60	1" BSP 60	1" BSP 60	1" BSP 60	1" BSP 60
		1" NPT 61	1" NPT 61	1" NPT 61	1" NPT 61	1" NPT 61
		1-1/2" BSP 70	1-1/2" BSP 70	1-1/2" BSP 70	1-1/2" BSP 70	1-1/2" BSP 70
		1-1/2" NPT 71	1-1/2" NPT 71	1-1/2" NPT 71	1-1/2" NPT 71	1-1/2" NPT 71
		2" BSP 80	2" BSP 80	2" BSP 80	2" BSP 80	2" BSP 80
		2" NPT 81	2" NPT 81	2" NPT 81	2" NPT 81	2" NPT 81
		<b>G75-A *</b>	<b>G75-A *</b>	<b>G75-A *</b>	<b>G75-A *</b>	<b>G75-A *</b>

### \* G75-A

TYPE	PORT	FUNCTION	MANUAL OVERRIDE	ORIFICE
with flange 1	1/8" BSP	10	2W NC 1	None 0
without flange 2	1/8" NPT	11	3W NC 3	1.0 1
Brass 3	1/4" BSP <sup>(1)</sup>	20	3W NO 4	1.2 2
	1/4" NPT <sup>(1)</sup>	21		1.6 3

1) Example : G75-C-2-50-60  
 GEVA 75 **Two Valves controller** :  
 Valve 1 : 3/4" BSP, Valve 2 : 1" BSP

G75-C - 2 - 50 - 60

2) Example : G75-C-4-50-70-80-00-60  
 GEVA 75 **Four Valves controller** :  
 Valve 1 : 3/4" BSP, Valve 2 : 1-1/2" BSP, Valve 3 : 2" BSP,  
 Valve 4 : No Valve, Master Valve : 1" BSP

G75-C - 4 - 50 - 70 - 80 - 00 - 60

3) Example : G75-C-2-60-G75-A-110102  
 GEVA 75 **Two Valves controller** :  
 Valve 1 : 1" BSP, Valve 2 : G75-A with flange, 1/8" BSP, 2W NC,  
 no manual override, 1.2 orifice

G75-C - 2 - 60 - G75-A - 1 10 1 0 2

(1) Brass only

(2) For Four Valves controller only

\* To order controllers manufactured according to your specific requirements, please contact our technical sales department