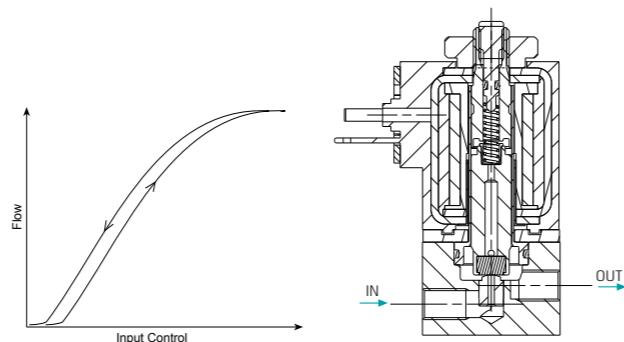


G65-PR | Proportional 2 Way NC



Technical Data

Function	2 Way NC
Ports size	M5, #10UNF, 1/8" BSP & NPT
Orifice size	See table
Pressure range	Vacuum - see table
Kv (l/min)	See table
Temperature range	Fluid : -10°C to 80°C (no freezing) Ambient : -10°C to 55°C
Materials in contact with media	Main Valve: Aluminium, Brass, Stainless Steel AISI 316 Solenoid Operator: Stainless Steel AISI 300 & 400 series, Brass Seals: NBR, FPM (Viton®), EPDM (other, on request) Guide rings: PTFE
Media	Air, water, oil
The control parameter is the current in the coil!	
Operating current	Max. 1500[mA] standard voltage 24V DC(=)
Electrical connection	Per DIN 43650-b, or 2 flying leads 18AWG (0.75mm²) 300 mm length
Standard protection class	IP65 with connector

• Media : Max. viscosity 21mm²/s

Guidelines for selection :

- The pressure drop (ΔP) on the valve should be 30-50% or higher, of the total pressure drop in the system.
- Special consideration should be taken in choosing the right Kv of the valve as this factor determines the flow and pressure drop of the valve.
- To achieve better regulation performance when working without a control unit, the maximum pressure should be 12 times the working pressure. The maximum pressure can be adjusted using the upper screw.
- Inlet pressure should be kept constant during operation.

Standard calibration pressure (bar)

	Orifice size (mm)			
	0.8	1.0	1.2	1.6
Pressure rating [bar] ⁽¹⁾	10	8	6	4
Flow factor Kv(l/min)	0.4	0.5	0.65	1.2

- (1) From technical vacuum to max. rating
(2) Other calibration pressures on request

Flow regulation :

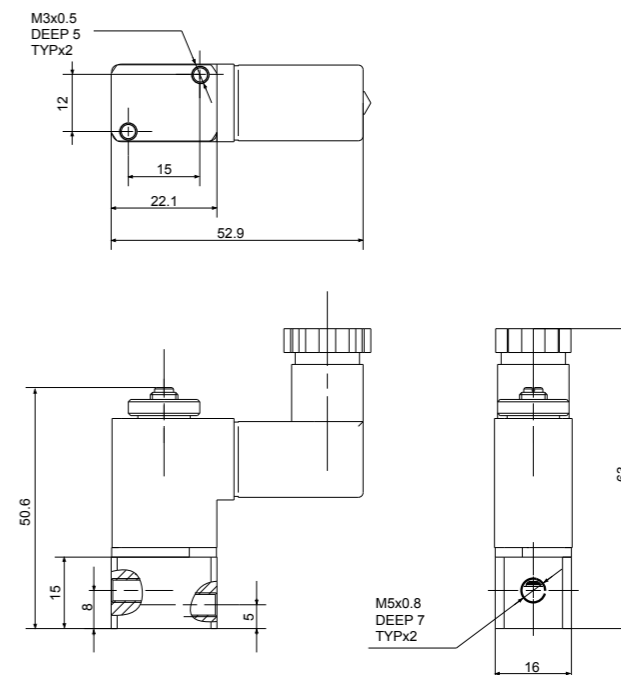
With control unit PWM 500[Hz] measured at constant ΔP (delta P)
 Hysteresis <5% of FS
 Repeatability <3% of FS
 Sensitivity <2% of FS

Voltage & Power Consumption

V	AC 50Hz		DC (W)
	3.2VA	3.6VA	3
12			•
24			•
110			
230			

• Available options

Dimensions



How to Order

G65-PR	BODY ⁽¹⁾	PORT	FUNCTION	ORIFICE	SEALS	MANUAL OVERRIDE	CONNECTOR						
Aluminium	1	M5	00	2W NC	1	0.8	1	NBR	N	None	0	without	0
Brass	2	#10UNF	01			1.0	2	FPM (Viton®)	V			with	1
Stainless Steel	3	1/8" BSP	10			1.2	3	EPDM	E				
		1/8" NPT	11			1.6	4						

Example : G65-PR-21014N0-1

G65 proportional direct operated, brass, 1/8" BSP, 2W NC, 1.6 orifice, NBR, without manual override, with connector.

G65-PR - 2 - 10 - 1 - 4 - N - 0 - 1

(1) For Stainless Steel tube, add "s" : e.g. G65-PR - Xs - X - X - X - X - X - X

* To order valves manufactured according to your specific requirements, please contact our technical sales department.