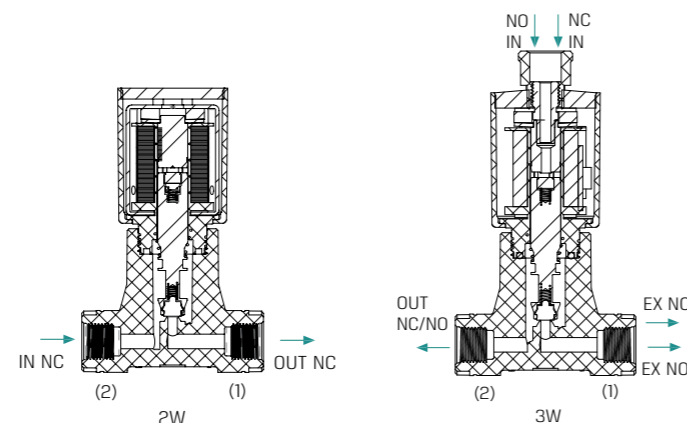


G75-A3P | 1/8" Latch 2 Way, 3 Way NC, NO

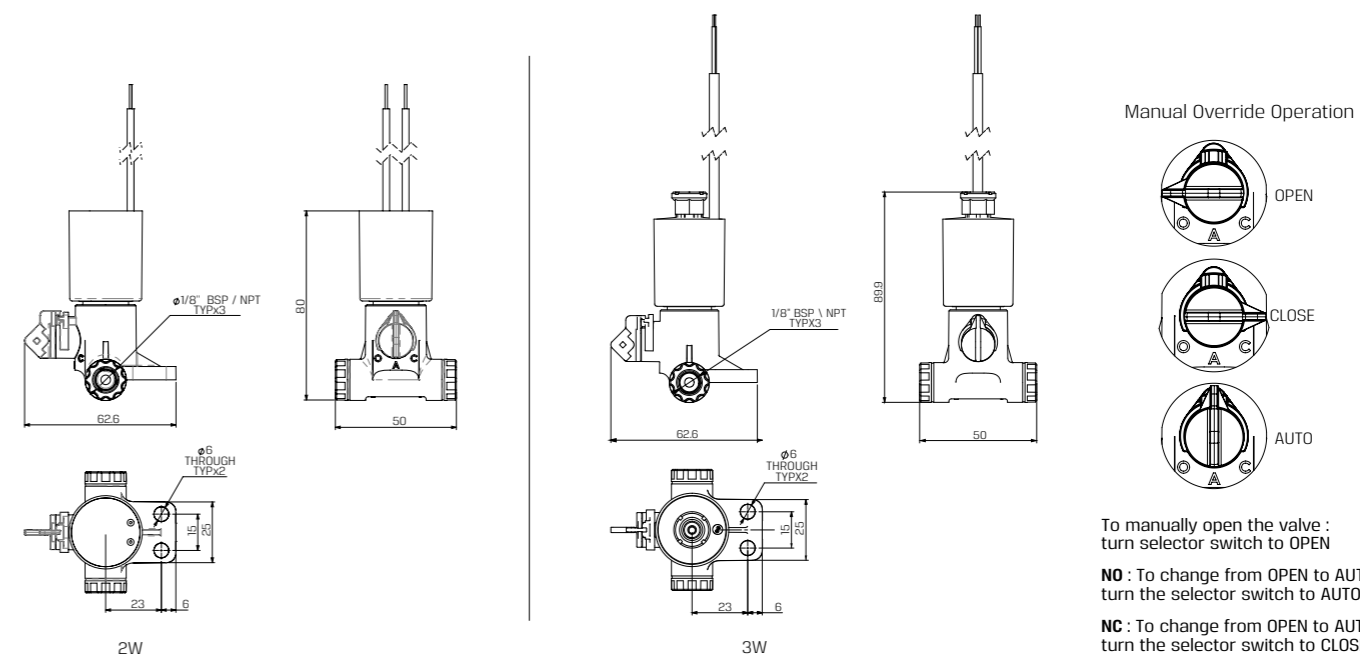


Technical Data

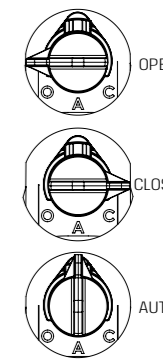
Function	2 Way NC, 3 Way NC, NO
Ports size	1/8" BSP & NPT
Orifice size	2.6 mm
Pressure range	NC 2 Way : 10 bar NC 3 Way : 8 bar NO 3 Way : 10 bar
Temperature range	Fluid : 5°C to 50°C (no freezing) Ambient : 10°C to 50°C
Materials in contact with media	Manual override: Plastic Main Valve: UV Stabilized - Reinforced Nylon 6 30% GF Solenoid Operator: Stainless Steel AISI 300 & 400 series Seals: NBR
Mounting	2 x Ø6 mm holes
Manual override	3 positions (Open/Auto/Close)
Media	Air, water
Coil voltage	Latch
Switching time	40-60 msec
Electric connection	22AWG cable
Standard protection class	IP66

* Can only be operated with supplied coil

Dimensions



Manual Override Operation



To manually open the valve :
turn selector switch to OPEN

NO : To change from OPEN to AUTO:
turn the selector switch to AUTO

NC : To change from OPEN to AUTO:
turn the selector switch to CLOSE,
and then to AUTO

How to Order

G75-A3P	-	TYPE	PORT	FUNCTION	ORIFICE	-	LATCH TYPE ⁽¹⁾	WIRES	
		with flange	1	1/8" BSP	10	2W NC	1	2.6 5a	1Ω PA two Null
				1/8" NPT	11	3W NC	3		4Ω PB three a
						3W NO	4		

Coil resistance vs input voltage range

Resistance [Ω]	Suitable input voltage range [V]
1	8 - 12
4	12 - 18

Example : G75-A3P-11015a-PA

G75-A3P, with flange, 1/8"BSP, 2W NC, 2.6 orifice, 1Ω latch with two wires

G75-A3P - 1 10 1 5a - PA

(1) Refer to coil resistance vs input voltage table

* To order valves manufactured according to your specific requirements, please contact our technical sales department.