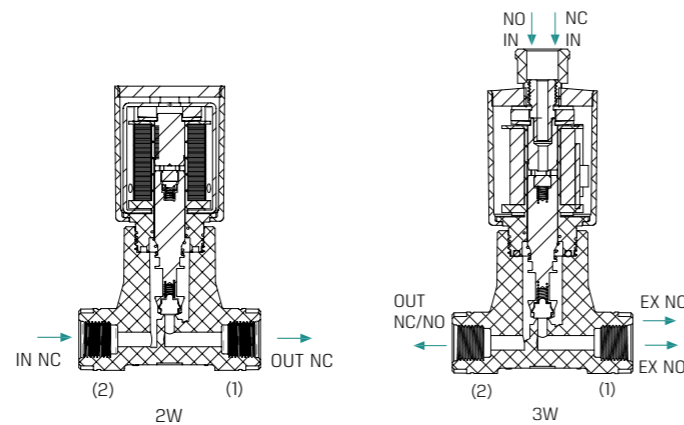


# SOLENOID VALVES | Special Purpose

## Plastic

### G75-A3P | 1/8" Latch 2 Way, 3 Way NC, NO



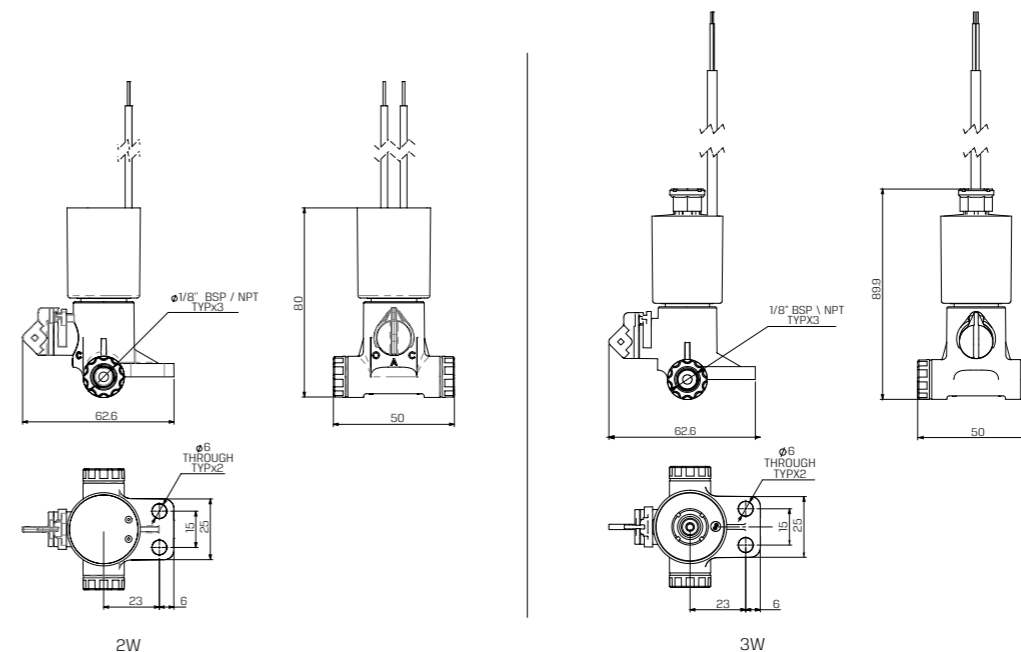
#### Technical Data

Function	2 Way NC, 3 Way NC, NO
Ports size	1/8" BSP & NPT
Orifice size	2.6 mm
Pressure range	<b>NC</b> 2 Way : 10 bar <b>NC</b> 3 Way : 8 bar <b>NO</b> 3 Way : 10 bar
Temperature range	<b>Fluid</b> : 5°C to 50°C (no freezing) <b>Ambient</b> : -10°C to 50°C
Materials in contact with media	<b>Manual override:</b> Plastic <b>Main Valve:</b> UV Stabilized - Reinforced Nylon 6 30% GF <b>Solenoid Operator:</b> Stainless Steel AISI 300 & 400 series <b>Seals:</b> NBR
Mounting	2 x Ø6 mm holes
Manual override	3 positions (Open/Auto/Close)
Media	Air, water
Coil voltage	Latch
Switching time	40-60 msec
Electric connection	22AWG cable
Standard protection class	IP66

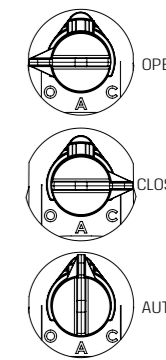
\* Can only be operated with supplied coil

## Plastic | G75 | 1/8" Latch 2 Way, 3Way NC, NO

#### Dimensions



#### Manual Override Operation



To manually open the valve :  
turn selector switch to OPEN  
**NO** : To change from OPEN to AUTO:  
turn the selector switch to AUTO  
**NC** : To change from OPEN to AUTO:  
turn the selector switch to CLOSE,  
and then to AUTO

#### How to Order

G75-A3P	TYPE	PORT	FUNCTION (1)	ORIFICE	LATCH TYPE (2)	WIRES
with flange	1	1/8" BSP	10	2.6	5a	1Ω PA two Null
		1/8" NPT	11			4Ω PB three a
			3W NO			9Ω PC

#### Latch coil resistance vs Input voltage Recommendations chart

Resistance [Ω]	Input voltage range [V]
1	8 - 12
4	12 - 18
9	16 - 24

#### Example : G75-A3P-11015a-PA

G75-A3P, with flange, 1/8"BSP, 2W NC, 2.6 orifice, 1Ω latch with two wires



(1) To order NC configuration, please consult with our technical sales department  
(2) Refer to Latch coil resistance vs Input voltage | Recommendations chart

\* To order valves manufactured according to your specific requirements, please contact our technical sales department.