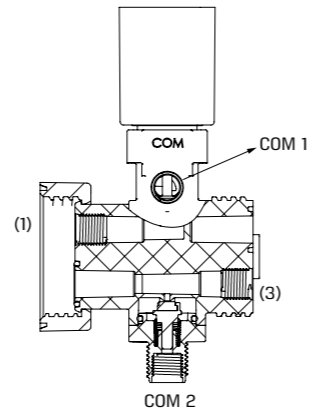


# SOLENOID MANIFOLDS

## G75-VM | Modular Manifold



### Technical Data

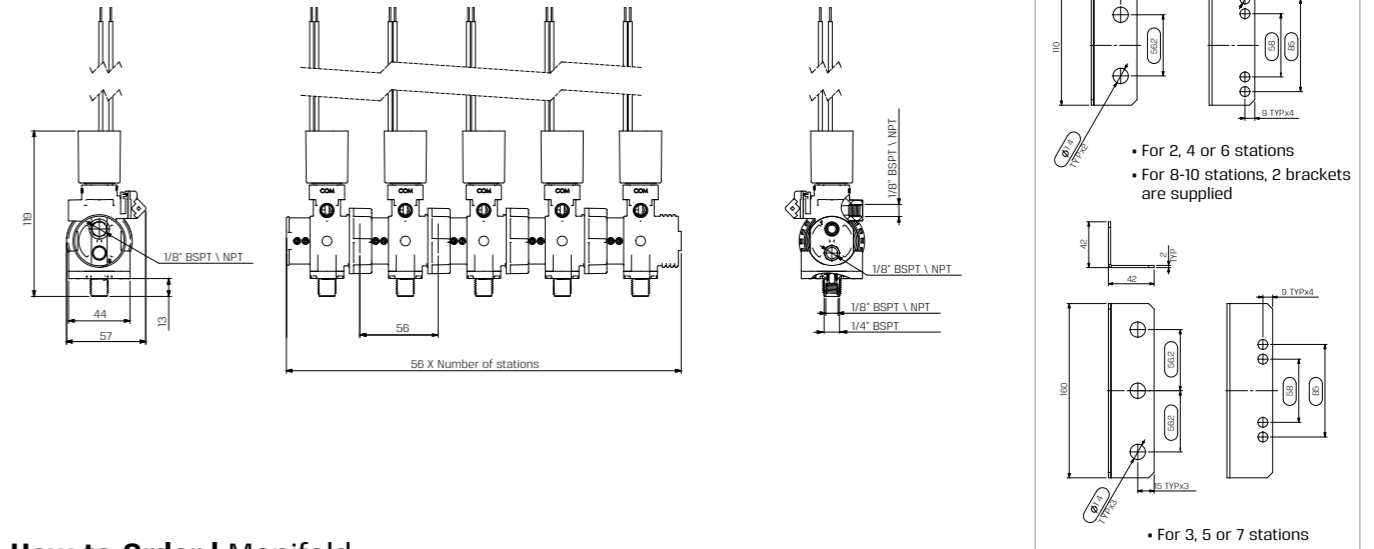
Function	3 Way NC, NO
Orifice size	1.8 mm
Pressure range	0 to 8 bar
Temperature range	<b>Fluid :</b> 0°C to 50°C (no freezing) <b>Ambient :</b> -10°C to 50°C
Materials in contact with media	<b>Manual override:</b> Plastic (Reinforced Nylon) <b>Main Valve:</b> Plastic (Reinforced Nylon & POM) <b>Solenoid Operator:</b> Stainless Steel AISI 300 & 400 series <b>Seals:</b> EPDM
Mounting	With bracket
Modular connection type	Thread type connection
Modular connection assembly recommendation	<ul style="list-style-type: none"> <li>Manually tighten one station to another</li> <li>Using tools and/or excessive torques may lead to irreversible damage</li> </ul>
Manual override	3 positions latch : Auto, Close, Open
Media	Air, water
Coil voltage	Latch
Standard protection class	IP66

\* Can **only** be operated with supplied coil

PORT	NO	NC
1	Exhaust	Pressure
3	Pressure	Exhaust
COM	Out	Out

## G75-VM | Modular Manifold

### Dimensions



### How to Order | Manifold

G75-VM	No. OF STATIONS (1)	BODY	PORT	FUNCTION	MANUAL OVERRIDE	ORIFICE	SEALS	LATCH TYPE (2)	MOUNTING BRACKET	OUTLET (3)	WIRES
	Specify quantity: 2 - 10	Plastic 4	1/8" BSPT 10 1/8" NPT 11	3W NC 3 3W NO 4	Plastic 1	1.8 3a	EPDM E	4Ω SB 9Ω SC 12Ω SD 23Ω S6	with 1	COM 1 1 COM 2 2	two Null three a

Example : G75-VM-3410313aE-SB11

G75-VM manifold, 3 stations, plastic, 1/8" BSPT, 3W NC, plastic manual override, 1.8 orifice, EPDM seals, 4Ω latch, with mounting bracket, COM 1 outlet, two wires

G75-VM	-	3	4	10	3	1	3a	E	-	SB	1	1
--------	---	---	---	----	---	---	----	---	---	----	---	---

(1) Manifold designed for a maximum of 10 stations, the use of more will reduce the outlet flow rate to all

(2) Refer to coil resistance vs input voltage table

(3) A plug will be fitted on the other outlet port

### How to Order | Manifold Components

G75-VM	-	TYPE	BODY	PORT	FUNCTION	MANUAL OVERRIDE	ORIFICE	SEALS	LATCH TYPE (1)	OUTLET (2)	WIRES
		Left L	Plastic 4	1/8" BSPT 10 1/8" NPT 11	3W NC 3 3W NO 4	Plastic 1	1.8 3a	EPDM E	4Ω SB 9Ω SC 12Ω SD 23Ω S6	COM 1 1 COM 2 2	two Null three a
		Right R									
		Middle M									

Example : G75-VM-L410313aE-SB1

G75-VM Left component, plastic, 1/8" BSPT, 3W NC, plastic manual override, 1.8 orifice, EPDM seals, 4Ω latch, COM 1 outlet, two wires

G75-VM	-	L	4	10	3	1	3a	E	-	SB	1
--------	---	---	---	----	---	---	----	---	---	----	---

(1) Refer to coil resistance vs input voltage table

(2) A plug will be fitted on the other outlet port

### Coil resistance vs input voltage range

Resistance [Ω]	Suitable input voltage range [V]
4	6 - 9
9	12 - 14
12	14 - 16
23	18 - 21

\* To order manifolds manufactured according to your specific requirements, please contact our technical sales department