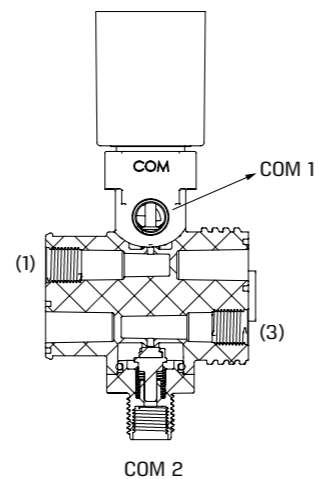


# SOLENOID VALVES | Special Purpose

## Plastic

### G75-VSA | Stand-alone solenoid 3 Way NC, NO



#### Technical Data

Function	3 Way NC, NO
Ports size	1/8" BSPT & NPT
Orifice size	1.8 mm
Pressure range	0 to 8 bar
Switching time	30-50 ms
Temperature range	<b>Fluid :</b> 0°C to 50°C (no freezing) <b>Ambient :</b> -10°C to 50°C
Materials in contact with media	<b>Manual override:</b> Plastic (Reinforced Nylon) <b>Main Valve:</b> Plastic (Reinforced Nylon & POM) <b>Solenoid Operator:</b> Stainless Steel AISI 300 & 400 series <b>Seals:</b> EPDM
Mounting	Lock nut on the bottom COM port
Manual override	<b>Latch :</b> 3 position latch : Auto, Close, Open <b>AC :</b> 2 position : Auto, Open
Media	Air, water
Coil voltage	Latch, AC (according to table)
Standard protection class	IP66

\* Can **only** be operated with supplied coil

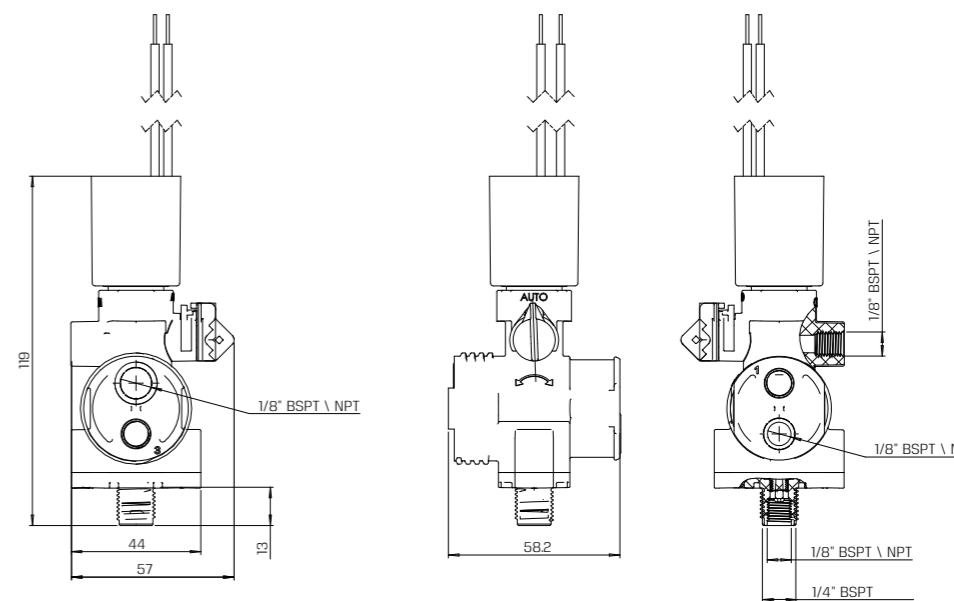
PORT	NO	NC
1	Exhaust	Pressure
3	Pressure	Exhaust
COM	Out	Out

#### Voltage & Current AC & DC

Coil	Inrush [A]	Holding [A]
24VAC-50 Hz	0.33	0.21

## Plastic | G75 | Stand-alone solenoid 3 Way NC, NO

#### Dimensions



#### How to Order

G75-VSA	BODY	PORT	FUNCTION	MANUAL OVERRIDE	ORIFICE	SEALS	TYPE	OUTLET <sup>(3)</sup>	WIRES
	Plastic 4	1/8" BSPT 10 1/8" NPT 11	3W NC 3 3W NO 4	Plastic 1	1.8	3a EPDM E	24VAC-50Hz <sup>(1)</sup> S1 4Ω <sup>(2)</sup> SB 9Ω <sup>(2)</sup> SC 12Ω <sup>(2)</sup> SD 23Ω <sup>(2)</sup> S6	COM 1 1 COM 2 2	two Null three <sup>(4)</sup> a

#### Latch coil resistance vs Input voltage Recommendations chart

Resistance [Ω]	Input voltage range [V]
4	6 - 9
9	12 - 14
12	14 - 16
23	18 - 21

#### Example : G75-VSA-410313aE-SB1

G75-A stand-alone solenoid, plastic, 1/8" BSPT, 3W NC, plastic manual override, 1.8 orifice, EPDM seals, 4Ω latch, COM 1 outlet, two wires

G75-VSA	-	4	10	3	1	3a	E	-	SB	1
---------	---	---	----	---	---	----	---	---	----	---

- (1) Refer to Voltage & Current AC & DC
- (2) Refer to Latch coil resistance vs Input voltage | Recommendations chart
- (3) A plug will be fitted on the other outlet port
- (4) Latch only

\* To order valves manufactured according to your specific requirements, please contact our technical sales department.