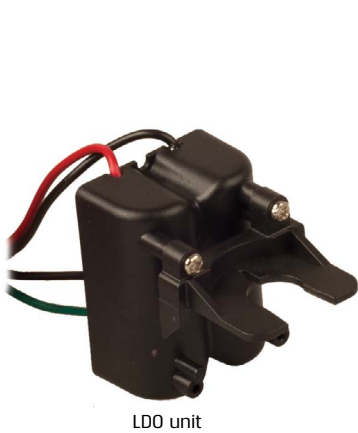


CONTROLLERS & SPECIAL VALVES

GEM-LDO | Long distance operator 2 Way, 3 Way NC, NO

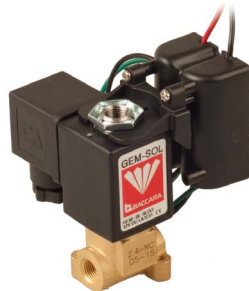


LDO unit

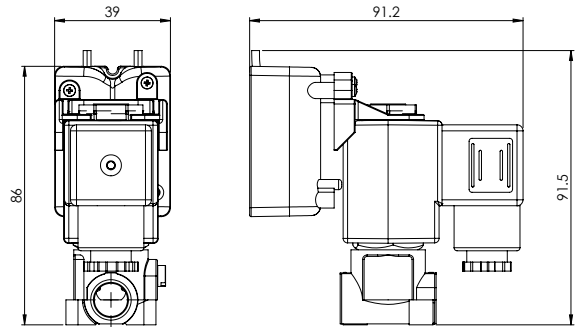
A small section conductor can be used at a distance of up to 5 kms



Assembled with GEM-S solenoid



Assembled with GEM-A solenoid



Technical Data

Function	2 Way, 3 Way NC, NO
Current	Holding 4mA
Pressure range	Refer to working pressure definitions of the valve that the GEM-LDO is assembled on, with DC10W/AC8W
Power	<ul style="list-style-type: none"> • DC12V (0.05W) up to DC24V (0.1W) • 24V AC: 0.3W
Connection	Red/Black - power supply Green/Black - coil Lead wire length - 28cm PVC coated AWG 18 UL 1007
Ambient temp	-10°C to 70°C
Operation	Only with GEM-BL-LDO coil and Baccara valve
Applications	<ul style="list-style-type: none"> • Cost saving wiring for remote solenoid operation • Power saving and heat prevention on continuous energized solenoid
Voltage	Voltage and power consumption - see table
Standard protection class	IP67 (LDO only)

* For recommended wire parameters, please refer to Long distance operators charts

How to Order

GEM-LDO	-	VOLTAGE	-	Please refer to the "How to Order" definitions of the assembled GEM-SOL valve.
		24 VAC & 12-24 VDC	9	

Example : GEM-LDO-9-GEM-A-21035NO

GEM-LDO is attached to a GEM-SOL latch coil direct operated, brass 1/8"BSP, 3W NC, 2.4 orifice, NBR, no manual override

GEM-LDO	-	9	-	GEM-A	-	2	-	10	-	3	-	5	-	N	-	0
---------	---	---	---	-------	---	---	---	----	---	---	---	---	---	---	---	---

Voltage	Distance (km)	Conduit section (mm ²)	Delay Time (sec)	
			On	Off
12/24	0		3	1
12	5	0.5	12	1
24	5	0.5	8	1

* Max conduit resistance 390Ω at nominal voltage

Voltage & Power Consumption

V	AC (W)		DC(W)	
	50 Hz	60 Hz	0.05	0.1
12			•	
24	•	•		•

• Available options

* To order special valves manufactured according to your specific requirements, please contact our technical sales department