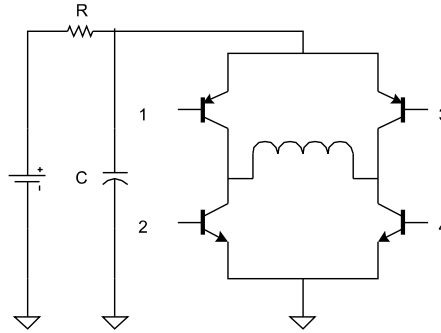
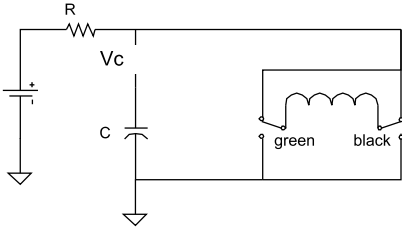




TECHNICAL INFORMATION

Operation driver for latch coils

Non-direct operation with two switches (or four transistors)



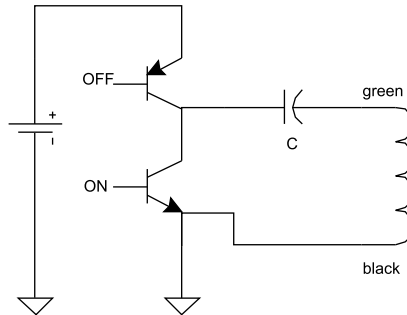
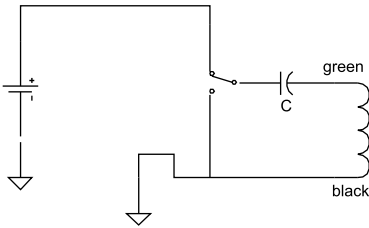
T_{vc} is the time to charge the capacitor. In order to reduce the time, use a similar resistor but never less than 100Ω .

$C = 4700\mu F$

$T_{vc} = 5 \cdot R \cdot C$ [sec]

$t_{on/off} = 30 \div 50$ ms

Non-direct operation with one switch (or transistor)



$C = 4700\mu F$

$t_{on/off} = 30 \div 50$ ms

Direct operation

