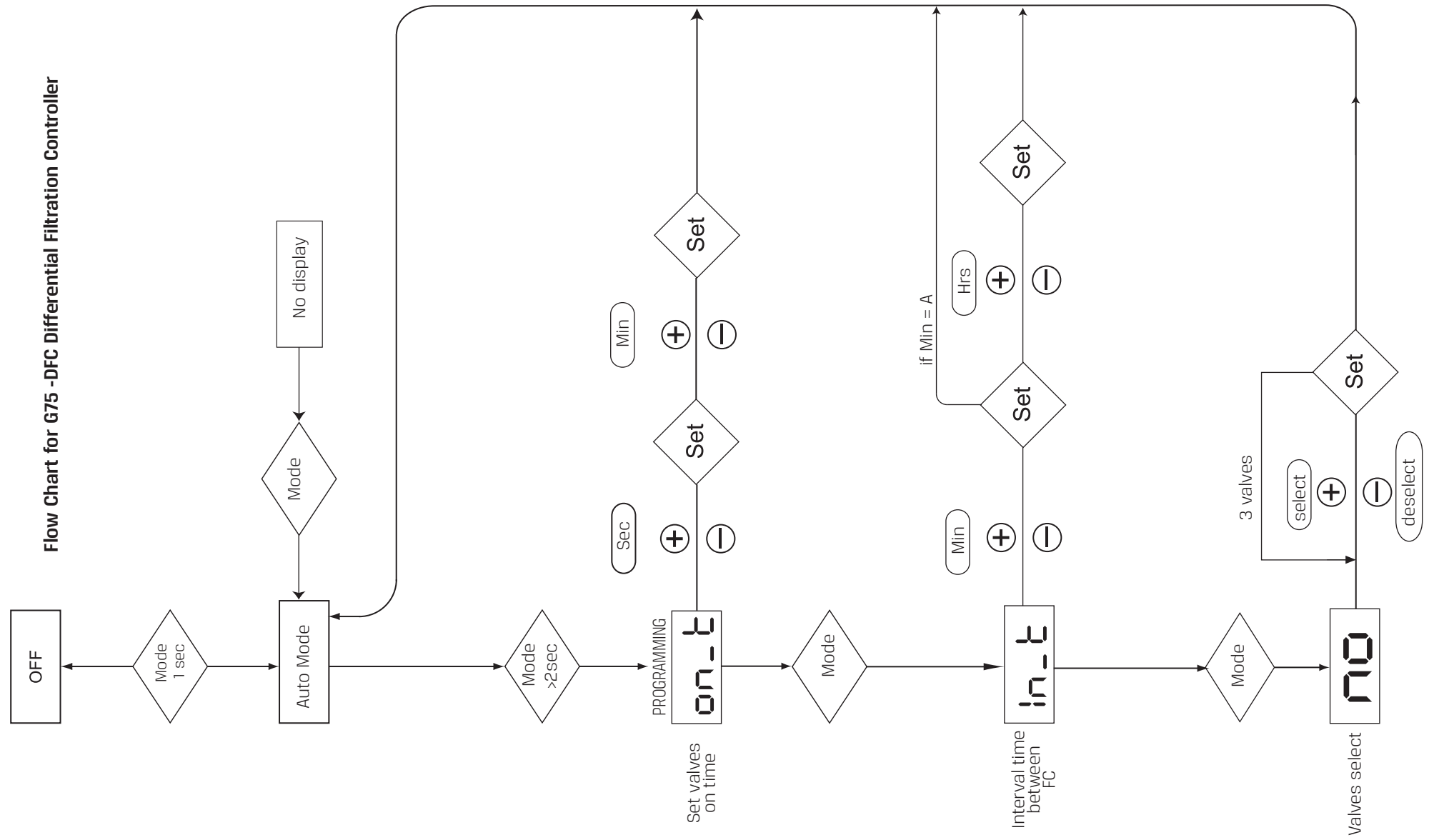



## Flow Chart for G75 - DFC Differential Filtration Controller



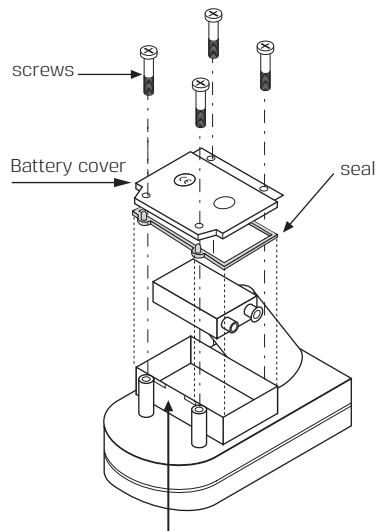
## 10 Maintenance

### Battery Installation

Replace the battery at the start of each irrigation season and when the low battery symbol  appears.

Use a 9V alkaline top quality battery only.

- Using a Phillips screw driver, remove the four battery cover screws.
- Remove the battery cover and seal.
- Replace the battery.
- After reattaching the seal, put the cover back, and secure with the four screws.



When replacing the seal, push seal tabs into slots.

## 12 Troubleshooting

Problem	Cause	Solution
No FC occurrence	No water	Open water
	Battery dead	Replace battery
	Off Mode	Set Auto Mode
Valve does not work	Valve # select is incorrect	#Correct valve select
	Shut Off	Press any button
	Sleep	Press MODE
Blank display	Battery dead	Replace battery

## 13 Guarantee

Baccara products are guaranteed to be free from defects in material and workmanship for a period of one year from the date of delivery.

This guarantee does not apply where equipment is not used and installed strictly in accordance with Baccara specifications and Users Guide. Neither does it apply to failures caused by lightning strikes or damage due to freezing temperatures or mechanical causes (e.g. lawn mowers). Baccara is not liable for indirect, incidental or consequential damage in connection with the use of equipment.

To receive guarantee benefits, customers should return defective units along with the receipt to the nearest Baccara distributor.

Baccara reserves the right to alter, modify or redesign its products, pricing and guarantee at all times without creating any liability for the obsolescence of customer inventory of such parts or products.

This manufacturer guarantee policy may apply differently in different countries.

**BACCARA®**

### G75 - DFC Differential Filtration Controller

#### Users Guide



• English

Baccara Geva Ltd, Kvutzat Geva 1891500, Israel  
Tel. 972-4-6535-960 • Fax. 972-4-6531-445  
E-Mail: info@baccara-geva.com www.baccara-geva.com

425770101 (G/20)

## 1 Getting Started

### Description

The Baccara Differential Filtration Controller combines a Controller and Differential Pressure Sensor (DP).

Molded DP with three wires cable. Controller with seven wires for valves and sensor interface.

The DFC controller is offered as DC Latch only, and it is suitable for Baccara solenoid Latch 4 ohm.

The controllers operates up to three solenoids. The Controller shows the actual DIF pressure and the pressure SET point.

The Flushing Cycle (FC) begins when DIF>SET appears.

### Display

The LCD display shows:

- Actual DIF pressure
- SET point pressure
- FC counter
- Faucet icon displayed whilst FC operating

- Low battery icon appears when battery needs replacing.

### Mechanical

- Operating temperature -10°C to + 60°C
- Dust and water tight: IP66
- UV protection
- Max. High pressure 14bar/200psi

### Electrical

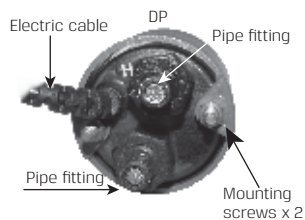
- Power supply: DC unit - 9V battery
- Internal memory retains settings when power supply disconnected.

### Mounting

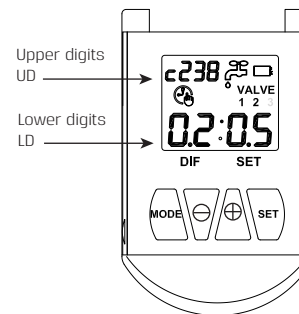
- DP: 2" / 52mm diameter
- 2 ft / 60 cm. 3 wires cable
- High and low pressure ports 1/ 8" BSP/NPT male
- BSP/NPT male
- High pressure port marked on housing.

**Important:** Connect High pressure before Low pressure. Disconnect Low pressure before High pressure.

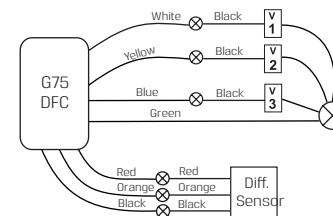
## 2 Parts Identification



### Controller (DFC display)



## 3 Wires connections - DC



## 4 Installation instructions

### LV9000 - Wire connectors

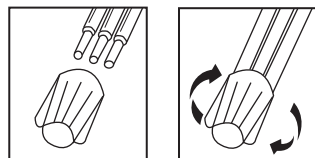
1. Strip wires 3/4" and group bare wires ends together. No pre-twisting necessary with solid wire. Pre-twist stranded wire. If using both wire types, wrap stranded wire around solid wires. See 1A.



2. Insert wires through flexible sealing fingers and bend wires into either <V- Channel>.
3. Push inner sleeve into pre-filled outer sleeve until double-locked. Pre-filled silicone fuller waterproofs the connection. Do not reuse connector.

## 5 "Dryconn" #22 to #12 AWG

1. Strip wires 13 mm.
2. Align frayed strands or conductors.
3. Do not pre-twist. Place stripped wires with ends even, lead stranded wires slightly.
4. Twist connector onto wires pushing firmly until hand-tight. DO NOT over torque.
5. Swipe excess sealant in and around conductors. DO NOT REUSE.



### Operating Modes

- Auto
  - Off
  - FC counter rest
  - Manual FC
- UD = Upper Digits  
LD = Lower Digits

## 6 Operating Modes

### • Auto

This mode is the running mode of the controller.

UD shows counter value (see section 3).  
LD shows DIF and SET values.

Whilst in FC, the faucet icon will turn on and the operating valve number will blink.

Battery icon will blink when low battery is detected:

Display will turn **OFF** (blank) one minute after no button is pressed (shut off).  
Display will turn **ON** with pressing any button.

If DIF>SET for (n) consecutive measuring samples, FC starts. FC ends one min. after the last valve shut down.

### • Off

This mode is for **OFF** season or to stop **Auto** Mode permanently.  
LD shows **OFF**.

No pressure measuring process occurs.  
Display will shut off as in **Auto** Mode.

Press **MODE** shortly (0.5 sec.) to shift the controller **Mode** from **Auto** to **OFF** or backwards.

### • FC Counter reset

1. From **Auto** Mode press **MODE** and  $\oplus$  together UD will blink with counter content.
2. For **RESET**, press **MODE** and  $\ominus$  together, UD shows c000, then back to **Auto**.
3. If **RESET** is not needed, press **SET**, then back to Auto.

### • Manual FC

1. From **Auto** Mode press **SET** and  $\oplus$  together, FC starts. Display shows "Hand" and "Faucet" icons. **VALVE** and operating valve # blink.
2. When FC is completed the **MODE** returns to **Auto**.
3. To stop **Manual FC** press **SET** and  $\ominus$  together, FC will stop and return to **Auto**.

## 7 Factory Setting

### Factory Setting

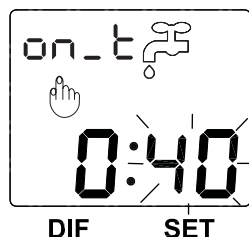
These settings cannot be programmed by the user:

- Pressure units: bar
- FC delay: 2 consecutive readings of DIF>SET before FC starts.
- Sample Interval time: Auto, as the DIF becomes closer to the SET point, the interval time between samples shortens. Max. Interval 60 secs./ Min. Interval 5 sec.
- Off time between valves during FC: 20 sec.
- Consecutive FC count number for alarm: 5 count
- Sensor calibration.

## 8 Programmable Setting

**Valve on Time:** default: 40 sec. range (5 min. 59 sec.) Same time for all valves.

1. To set Valve on Time press **MODE** until below display appears:



2. Use  $\oplus$  and  $\ominus$  to adjust seconds.
3. Press **SET** to continue.
4. Use  $\oplus$  and  $\ominus$  to adjust minutes.
5. Press **SET** to complete setting.

## 9 Programmable Setting

### Interval time between FC

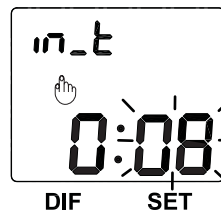
Default: A

This interval value will be the max. time between two consecutive FC if DIF pressure does not execute FC.

Range (23 hrs: 59 min. **A**)

If **A** is selected, this setting is ignored.

1. To set Interval Time between FC press **MODE** (one long press), then one short press. The below display appears:

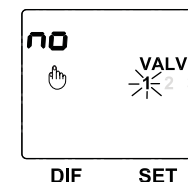


2. Use  $\oplus$  and  $\ominus$  to adjust minutes. (If A is selected, press **SET** to complete this setting).
3. Press **SET** to continue.
4. Use  $\oplus$  and  $\ominus$  to adjust hours.
5. Press **SET** to complete this setting.

### Select Valve no.

Default: Valve #1 (Max. three valves)  
You have a choice of which # valve will be operated by the controller. In case of output #1 burnout, you can connect the valve to output #2 and select valve #2 to operate or #3.

1. To select the valve #. Press **MODE** (one long press, then two short presses. This display appears:



2. Use  $\oplus$  to select valve #1. Valve #1 remains, valve #2 blinks. Or use  $\ominus$  to deselect valve #1. Valve #1 disappears, valve #2 blinks.
3. Repeat the above for valves 2 and 3.